

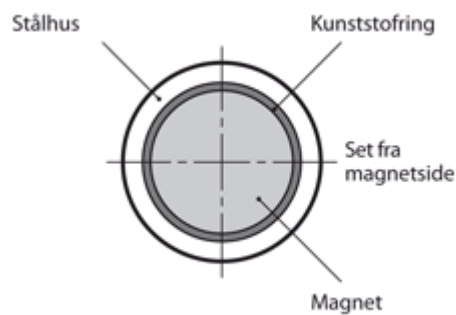
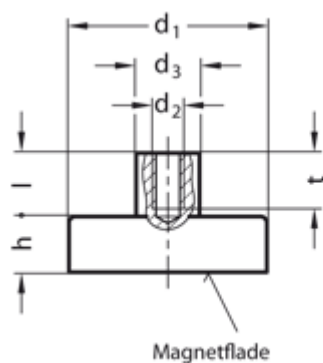
# Data Sheet



Article number: 201221493

Description: E+G Magnet - female thread GN 50.2-SC-32-M5  
SC Samarium cobalt, 200°C, 220N

## Measures



d1 = 32 ±0,1

d2 = M5x8,5

d3 = 10 ±0,2

h = 7 ±0,2

Holding force N = 220

Material = SC Samarium cobalt - 200° C

t = 8